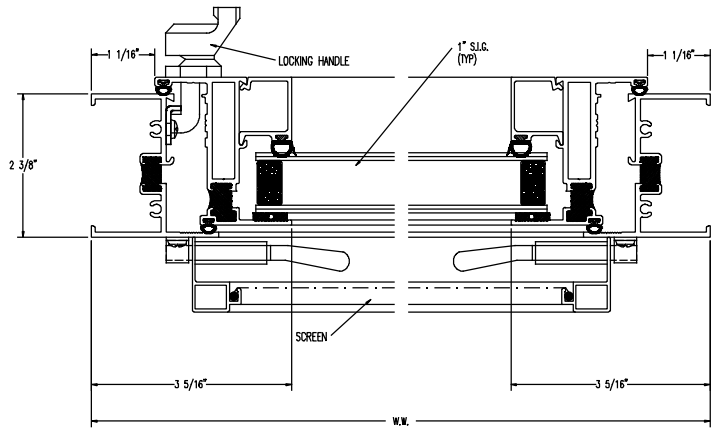
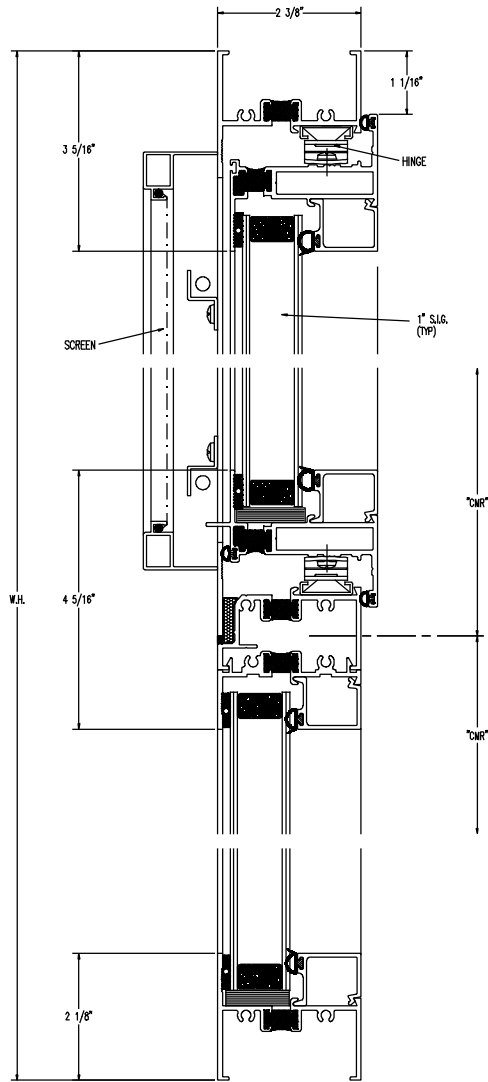


WINDOW ELEVATION
(EXTERIOR VIEW)

1 OPERATING HEAD

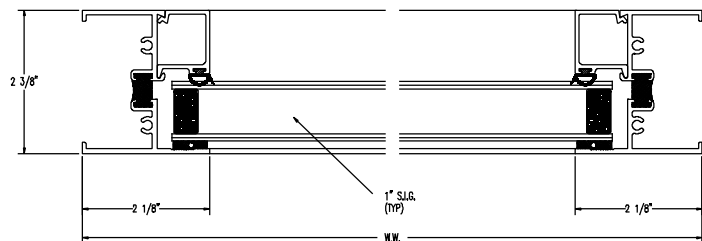
2 STACK BAR

3 FIXED SILL



4 LOCK JAMB

5 HINGE JAMB



6 FIXED JAMB

7 FIXED JAMB