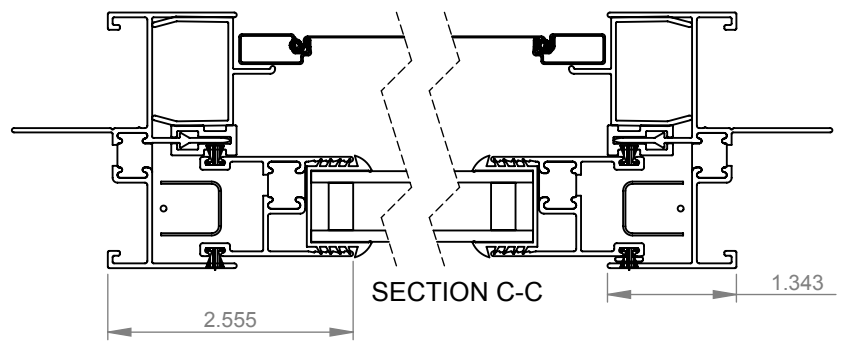
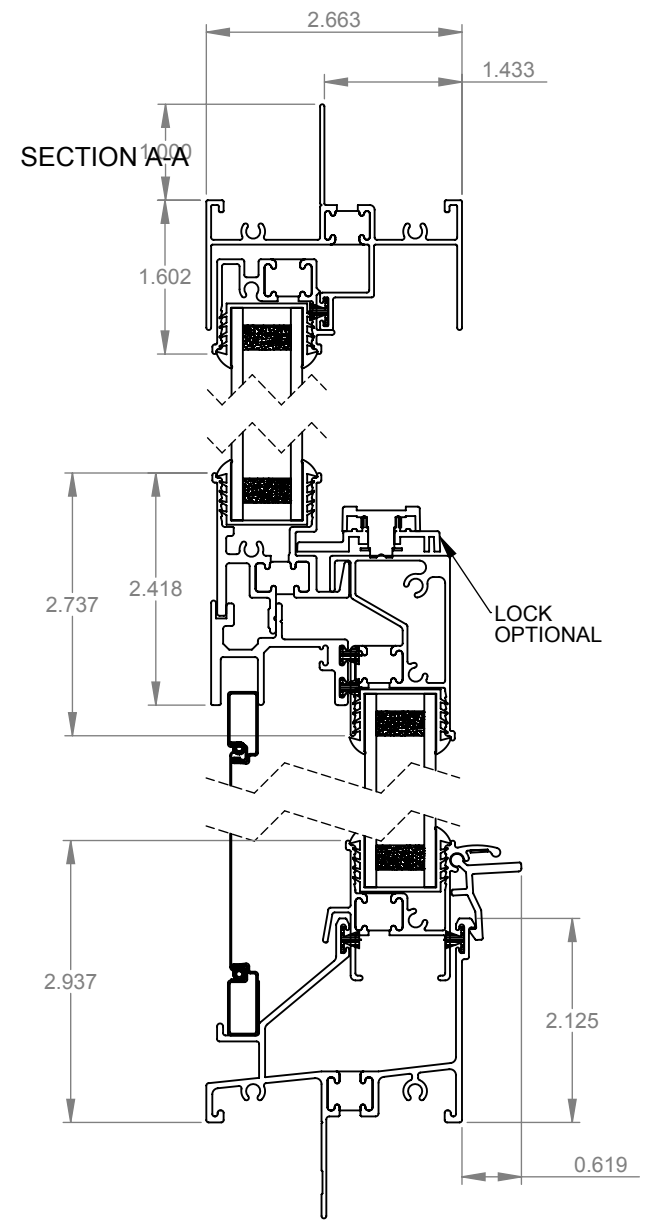


SECTION B-B



SECTION C-C



PROPRIETARY AND CONFIDENTIAL
 THE INFORMATION CONTAINED IN THIS DRAWING IS THE SOLE PROPERTY OF WOJAN WINDOW & DOOR CORPORATION. ANY REPRODUCTION IN PART OR AS A WHOLE WITHOUT THE WRITTEN PERMISSION OF WOJAN WINDOW & DOOR IS PROHIBITED.

MATERIAL:		NAME	DATE
MIN. WEBSTER HARDNESS:	DRAWN	D. DEWEY	7/28/09
UNSPECIFIED WALL THICKNESS:	CHECKED		
UNSPECIFIED RADII:	NOTE:		
MOIxx: IN ⁴			
MOIyy: IN ⁴			
COGxx: IN			
COGyy: IN			

SINGLE HUNG W-FIN STANDARD CONSTRUCTION			
SERIES: M85			
PART NO. ASSEMBLY			REV B
SCALE: 1:2	WEIGHT:	LB/FT	SHEET 1 OF 6

REV.	DESCRIPTION	BY	DATE	ECN #
REVISIONS				