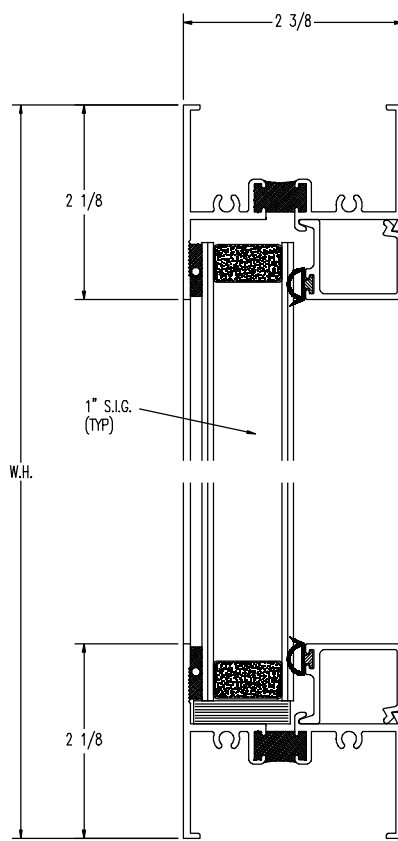
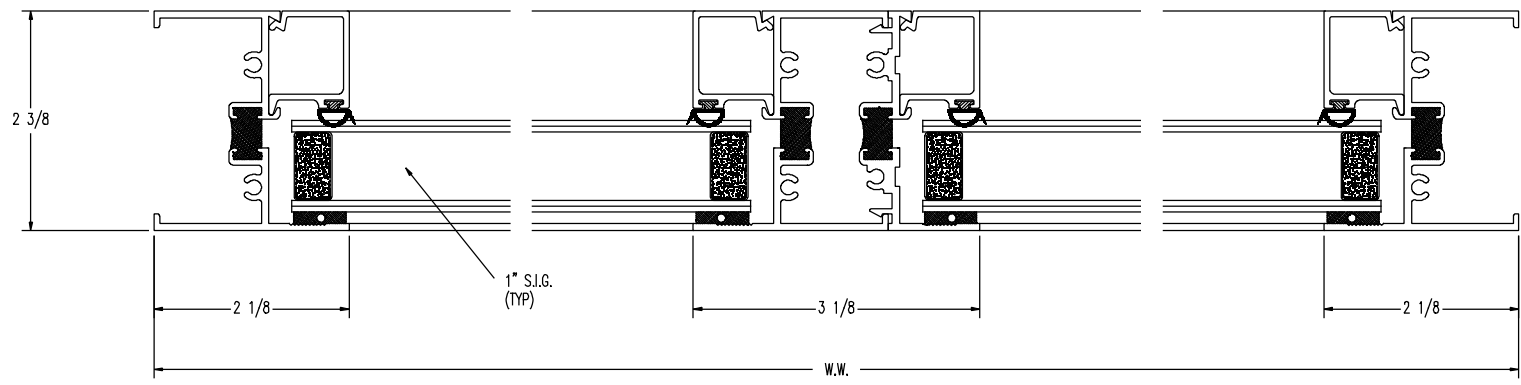


WINDOW ELEVATION  
(EXTERIOR VIEW)

① FIXED HEAD



② FIXED SILL



③ FIXED JAMB

④ VERTICAL CENTER BAR

⑤ FIXED JAMB