

2125/2140 Series Sliding Glass Doors

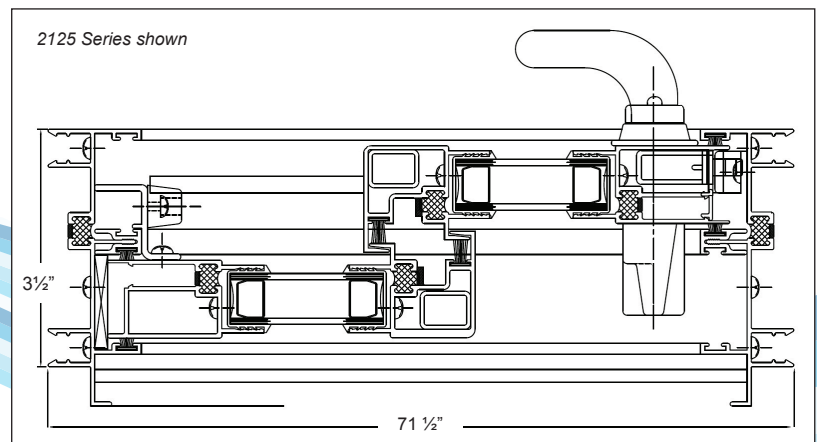
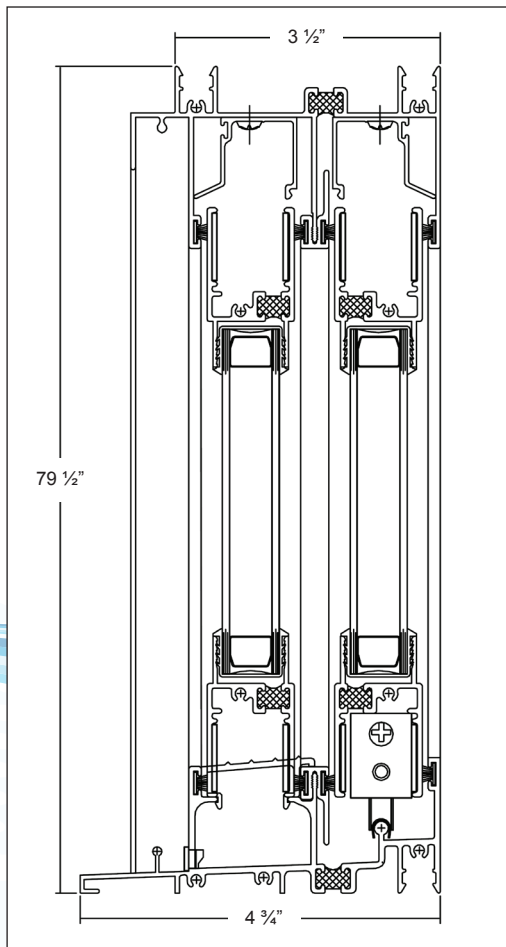
71 1/2" x 79 1/2" Actual Frame Size

New Construction and Custom Sizes Available



Quality Windows & Doors for All Seasons

- 3 1/2" jamb depth with integral accessory channels, interior and exterior
- 3/4" sealed insulated glass (IGU) with a 10-year limited warranty (see supporting document for details)
- Reversible frame kit shipped as knock-down (KD), panels completely assembled and glazed. Complete KD program available (optional)
- Legacy handleset with EZ handle - black color standard (custom color/finish options available)
- Finishes include white and bronze (AAMA 2603)
- Rolling screen-extruded aluminum frame with fiberglass cloth standard (aluminum cloth optional)
- Clear Anodized Sill
- New construction sizes with field applied nail fin
- Pour and de-bridge polyurethane thermal breaks utilizing Azo-Brader™ technology with a 10-year pass-through warranty (see warranty for details)



Product Performance Details (AAMA/WDMA/CSA 101/I.S.2/A440-08)

Model	Product Designation	Structural/Water/Air Test Size (W x H)	Air Infiltration (cfm/sq ft)	Water Resistance (psf)	Deflection (psf)	Structural (psf)
2125	LC25	87"W x 83"H	.21 @ 1.57 psf	3.76	25	37.5
2140	optional: LC40			6.06	40	60

HQ/Sales/Manufacturing
217 Stover Road
Charlevoix, MI 49720
(800) 632-9827 | fax (231) 547-4237



Made in the U.S.A.



www.wojan.com



Proud Member

Manufacturing
340 Jay Street
Coldwater, MI 49038
(866) 378-2202 | fax (517) 279-9832