

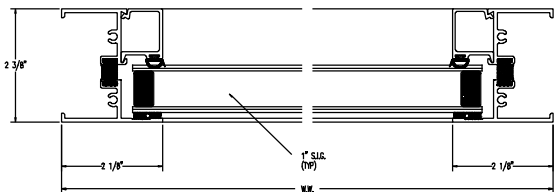
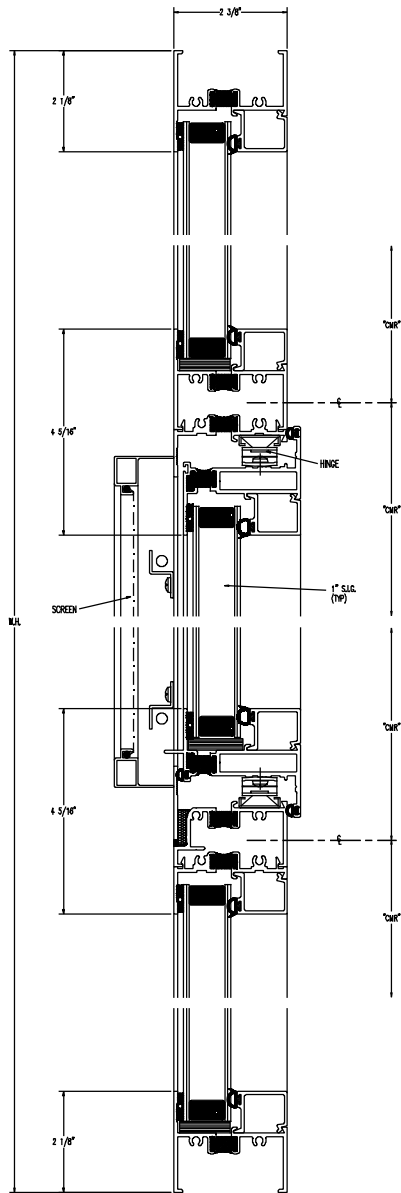
WINDOW ELEVATION  
(EXTERIOR VIEW)

① FIXED HEAD

② STACK BAR

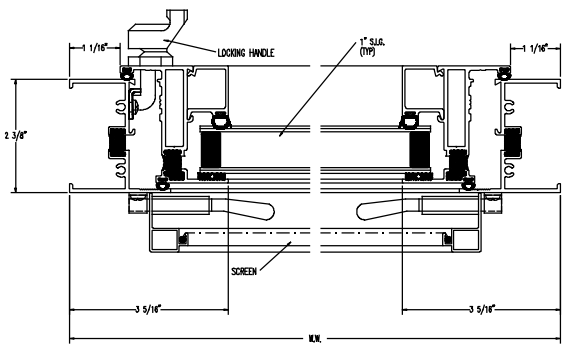
③ STACK BAR

④ FIXED SILL



⑤ FIXED JAMB

⑥ FIXED JAMB



⑦ LOCK JAMB

⑧ HINGE JAMB