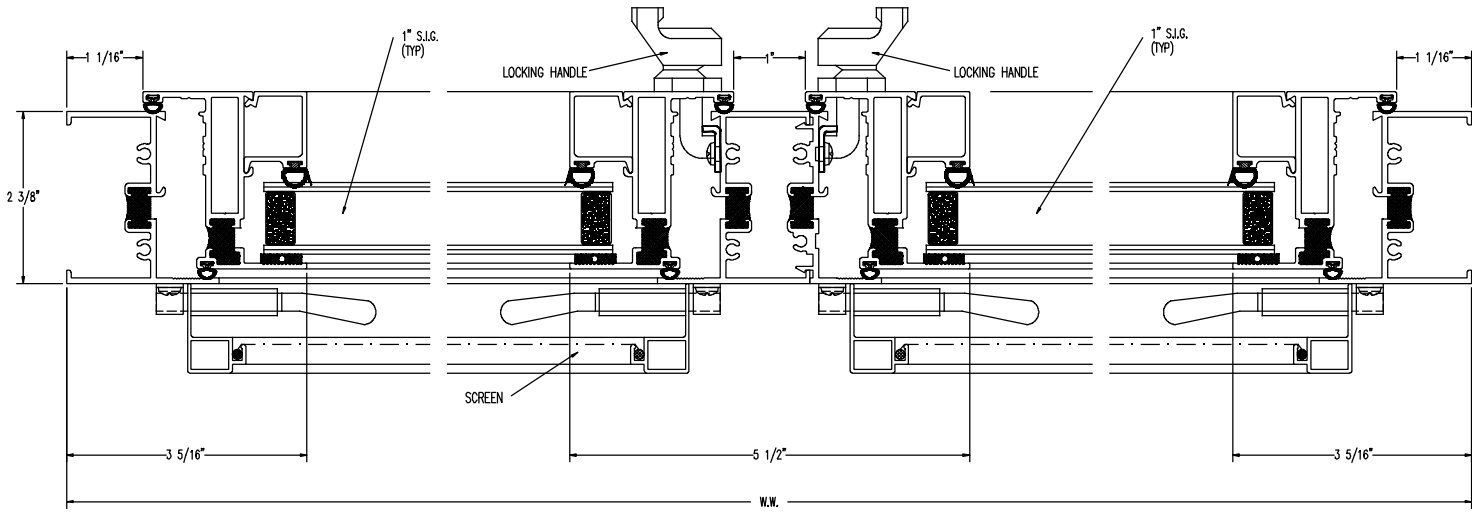
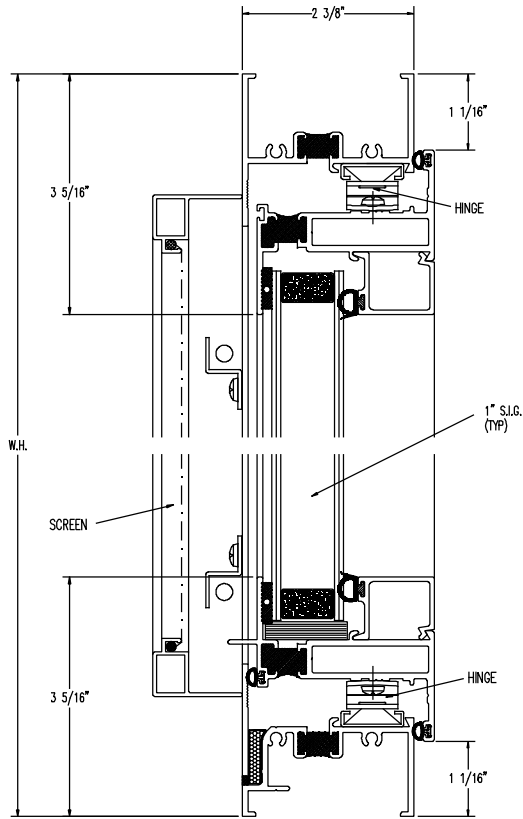


WINDOW ELEVATION
(EXTERIOR VIEW)

1 OPERATING HEAD

2 OPERATING SILL



3 HINGED JAMB

4 LOCKING CENTER BAR

5 HINGED JAMB