



Quality Windows & Doors for All Seasons

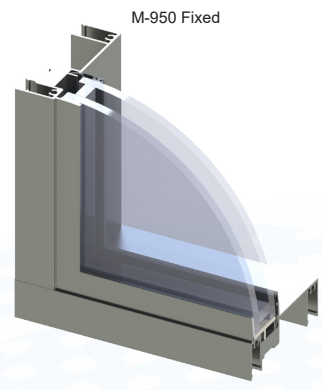
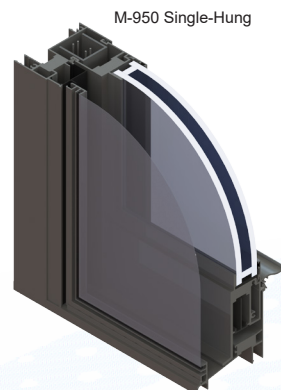
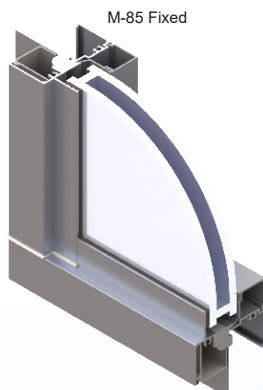
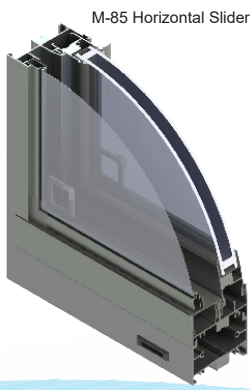
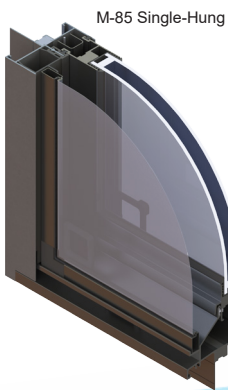
FBC Approved



FLORIDA BUILDING COMMISSION

"STRONGER CODES THROUGH SCIENCE AND CONSENSUS"

Holiday Inn Express & Suites - Ft. Myers, FL
M-85 Series Fixed Windows



M-85 Series, 2 3/4" Frame
Impact: Fixed, Fixed-Fixed
Non-Impact: Single-Hung, Fixed, Fixed-Fixed, Horizontal Slider

M-950 Series, 3 1/4" Frame
Impact: Single-Hung, Fixed over Fixed
Non-Impact: Single-Hung, Fixed over Fixed



Registered Provider



Made in the U.S.A.



Proud Member



Glass-Structural-NFRC
Certifications



Proud Member

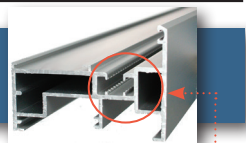
All Wojan products carry warranties of 1 year on window materials and workmanship,
10 years on the IGU and 10 years on the thermal break.
Ask about extended warranty bundles.

Aloft Tallahassee Downtown
M-85 Series Fixed Windows

Performance Details for FBC Approved Products

Series / Type	FBC Approval #	Size	Design Pressure	Product Designation	Uniform Structural Load (psf)	Water Resistance (psf)	AAMA/WDMA/CSA 101/I.S.2/ A440-	Impact Rating
M-85 Series								
Single Hung	FL17159.1	52" x 81"	+50/-50	CW50	75	7.52	08	n/a
Single Hung	FL17159.2	56" x 91"	+30/-30	CW30	45	4.59	08	n/a
Fixed-Fixed	FL17160.1	60" x 78"	+50/-50	C50	75	7.52	05	Large Missile Impact, Level D, Wind Zone 3 per ASTM E1886-05/E1996-05
Fixed-Fixed	FL17160.2	60" x 78"	+80/-80	C80	120	12.11	05	n/a
Fixed	FL17160.3	60" x 72"	+65/-65	CW65	97.5	9.82	11	n/a
Fixed	FL17160.4	56" x 68"	+50/-50	C50	75	7.52	05	Large Missile Impact, Level D, Wind Zone 3 per ASTM E1886-05/E1996-05
Horizontal Slider	FL17161.1	71" x 60"	+30/-30	CW30	45	4.60	08	n/a
M-950 Series								
Single Hung	FL17159.3	54" x 86"	+80/-80	AW80	120	12.11	08	n/a
Single Hung	FL17159.4	48" x 84"	+50/-50	AW50	75	7.52	08	Large Missile Impact, Level D, Wind Zone 4 per ASTM E1886-05/E1996-05
Single Hung	FL17159.5	60" x 99"	+50/-50	AW50	75	12.11	08	n/a
Fixed over Fixed	FL17160.5	48" x 84"	+50/-50	CW50	75	7.52	08	Large Missile Impact, Level D, Wind Zone 4 per ASTM E1886-05/E1996-05
Fixed over Fixed	FL17160.6	60" x 99"	+75/-75	CW75	112.5	12.12	08	n/a

Our products feature a pour and debridge polyurethane thermal break for better performance, utilizing Azo-Brader™ technology with a 10-year pass-through warranty against failure of the polymer.



Azo-Brader™ Technology: Abrasion "hooks" displace metal along the lugs to improve adhesion in the thermal barrier pocket.

HQ/Sales/Manufacturing
217 Stover Road
Charlevoix, MI 49720
fax (231) 547-4237

WOJAN
WINDOW & DOOR
CORPORATION
www.wojan.com | 800.632.9827

Manufacturing
340 Jay Street
Coldwater, MI 49036
fax (517) 279-9832