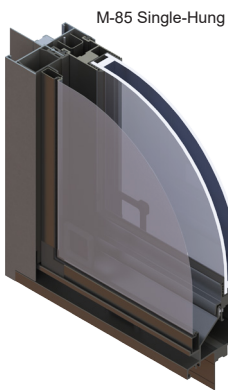
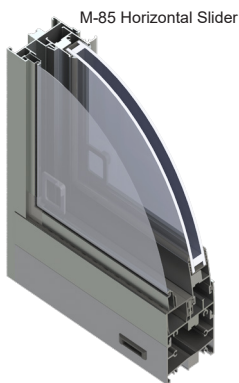




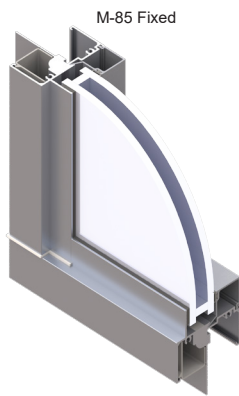
Dual-Brand Hampton Inn & Suites/Home2 Suites - Cape Canaveral, FL  
M-85 Series Fixed Impact Windows



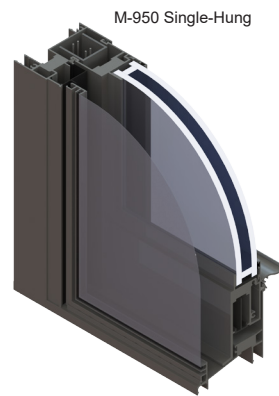
M-85 Single-Hung



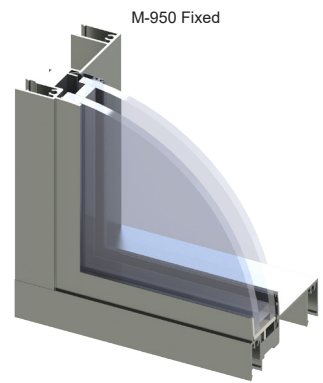
M-85 Horizontal Slider



M-85 Fixed



M-950 Single-Hung



M-950 Fixed

**M-85 Series, 2 11/16" Frame**  
Impact: Fixed, Fixed-Fixed  
Non-Impact: Single-Hung, Fixed, Fixed-Fixed, Horizontal Slider

**M-950 Series, 3 1/4" Frame**  
Impact: Single-Hung, Fixed over Fixed  
Non-Impact: Single-Hung, Fixed, Fixed over Fixed



Registered Provider



Made in the U.S.A.



Proud Member



Glass-Structural-NFRC Certifications



Proud Member

The newest version of the code, "7th Edition (2020) Florida Building Code", became effective on December 31, 2020. All Wojan products below are compliant to the "7th Edition (2020) Florida Building Code".

Fairfield Inn & Suites - Pensacola, FL  
M-85 Series Fixed ImpactWindows



## Performance Details for FBC Approved Products

Series / Type	FBC Approval #	Size	Design Pressure	Uniform Structural Load (psf)	Water Resistance (psf)	AAMA/WDMA/CSA 101/I.S.2/A440-	Impact Rating
<b>M-85 Series: 2 11/16" Frame Depth</b>							
Single Hung	FL17159.1	52" x 81"	+50/-50	75	7.52	08	n/a
Horizontal Slider	FL17161.1	72" x 60"	+50/-50	75	7.52	05	n/a
Fixed	FL17160.3	60" x 72"	+65/-65	97.5	9.82	11	n/a
Fixed-Fixed	FL17160.2	60" x 78"	+80/-80	120	12.11	05	n/a
Fixed	FL17160.4	56" x 68"	+50/-50	75	7.52	05	Large Missile Impact, Level D, Wind Zone 3 per ASTM E1886-05/E1996-05
Fixed-Fixed	FL17160.1	60" x 78"	+50/-50	75	7.52	05	Large Missile Impact, Level D, Wind Zone 3 per ASTM E1886-05/E1996-05
<b>M-950 Series: 3 1/4" Frame Depth</b>							
Single Hung	FL17159.2	54" x 86"	+80/-80	120	12.11	08	n/a
Fixed	FL17160.7	60" x 99"	+90/-90	135	15.04	08	n/a
Fixed over Fixed	FL17160.6	60" x 99"	+75/-75	112.5	12.12	08	n/a
Single Hung	FL17159.3	48" x 84"	+50/-50	75	7.52	08	Large Missile Impact, Level D, Wind Zone 4 per ASTM E1886-05/E1996-05
Fixed over Fixed	FL17160.5	48" x 84"	+50/-50	75	7.52	08	Large Missile Impact, Level D, Wind Zone 4 per ASTM E1886-05/E1996-05

Our products feature a pour and debridge polyurethane thermal break for better performance, utilizing Azo-Brader™ technology with a 10-year pass-through warranty against failure of the polymer.



Azo-Brader™ Technology: Abrasion "hooks" displace metal along the lugs to improve adhesion in the thermal barrier pocket.

HQ/Sales/Manufacturing  
217 Stover Road  
Charlevoix, MI 49720  
fax (231) 547-4237



www.wojan.com | 800.632.9827

Manufacturing  
340 Jay Street  
Coldwater, MI 49036  
fax (517) 279-9832