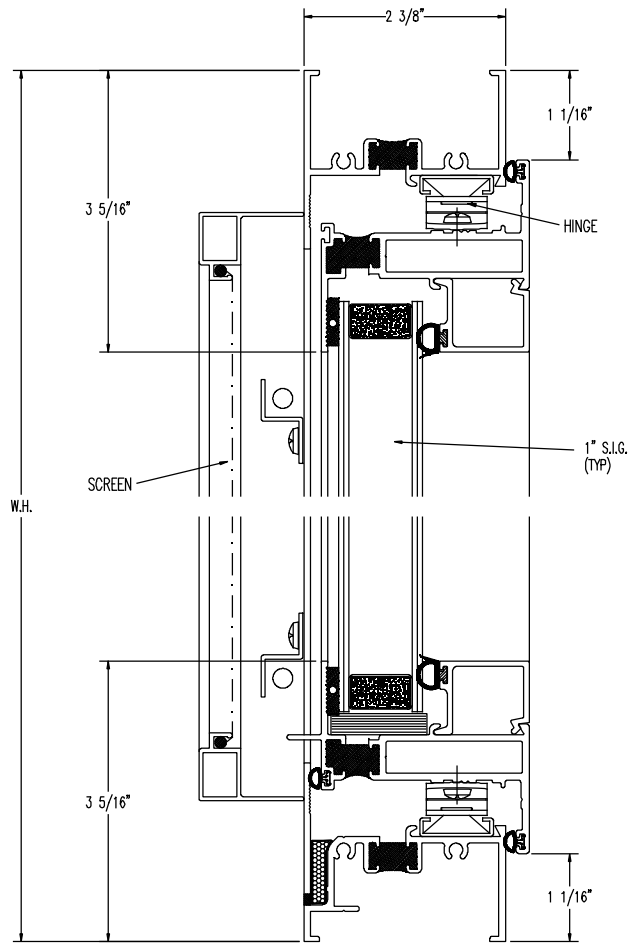
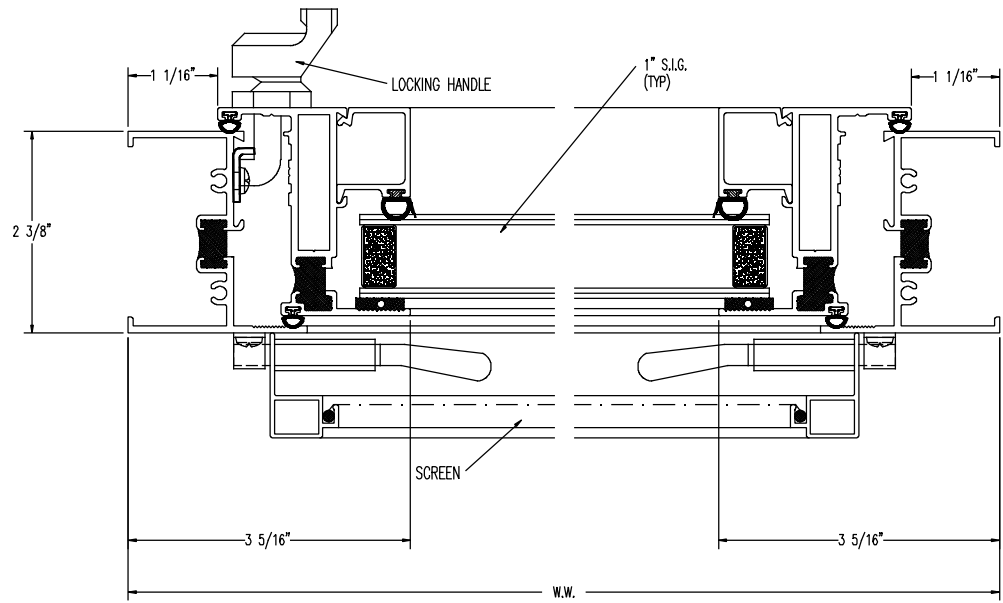


1 OPERATING HEAD



2 OPERATING SILL



3 LOCK JAMB

4 HINGE JAMB