

Cheboygan County Department of Building Safety

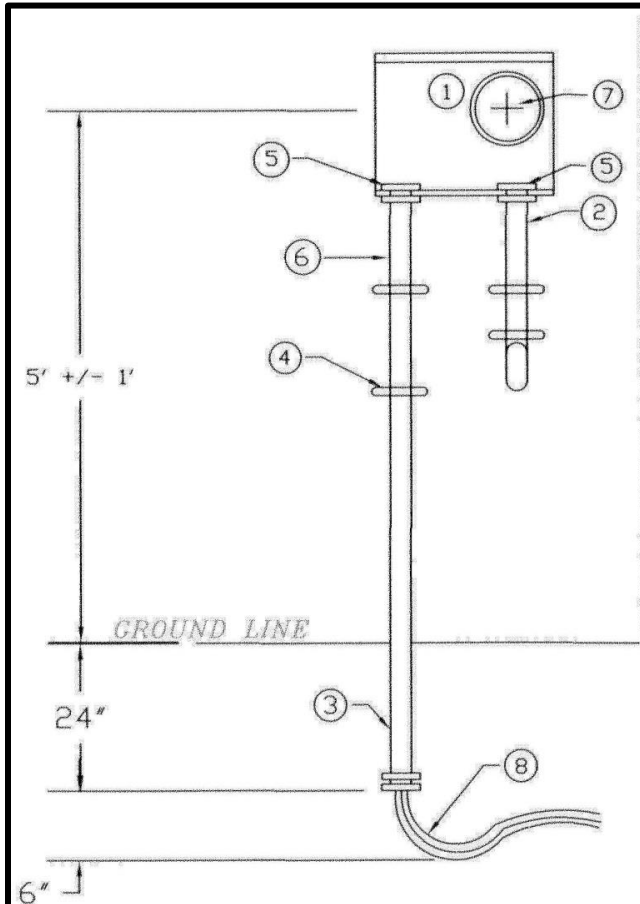
870 South Main Street • P.O. Box 70

Cheboygan, Michigan 49721

TX: (231) 627-8813 • FX: (231) 627-8454

www.cheboygancounty.net

ELECTRICAL – UNDERGROUND SERVICE ENTRANCE

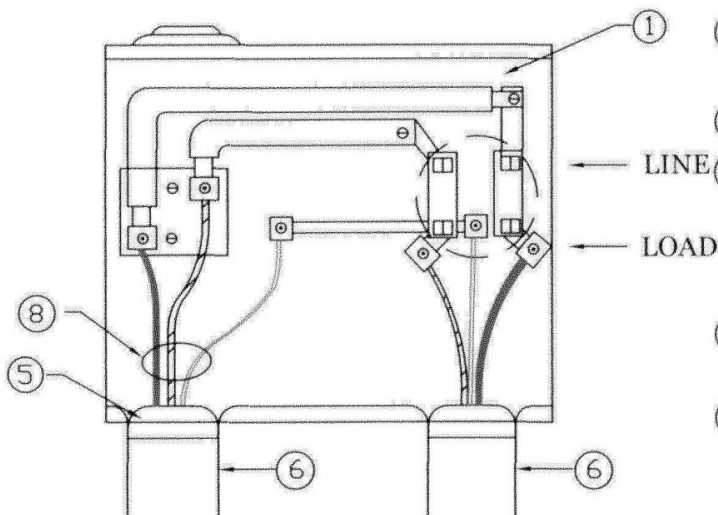


NOTE: ALL MEMBERS' SERVICE EQUIPMENT IS PER THE NATIONAL ELECTRIC CODE (NEC) AND MUST BE APPROVED BY THE LOCAL ELECTRICAL INSPECTOR.

MEMBER'S SERVICE EQUIPMENT

- ① METER BASE - (200 AMP MINIMUM)
(SEE DETAIL BELOW)
- ② MEMBER'S SERVICE ENTRANCE CABLE OR CONDUCTORS IN CONDUIT
- ③ ELECTRICAL CONDUIT (2" MINIMUM) TO BE EXTENDED 2' BELOW GRADE . PVC OR RIGID STEEL CONDUIT
- ④ CABLE STRAPS OR CONDUIT CLAMPS AS REQUIRED
- ⑤ CONNECTORS AS REQUIRED
- ⑥ PVC OR RIGID STEEL CONDUIT AS REQUIRED

METER BASE DETAIL



SERVICE EQUIPMENT

- ⑦ KWH METER - min 4', max. 6' from ground
- ⑧ UNDERGROUND SERVICE CONDUCTORS